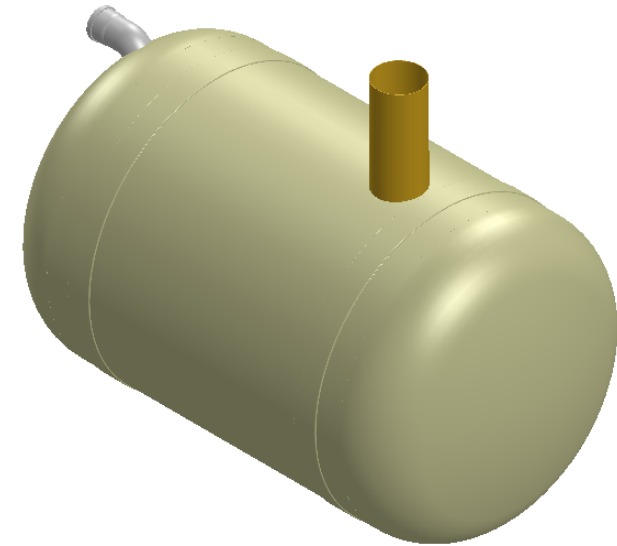
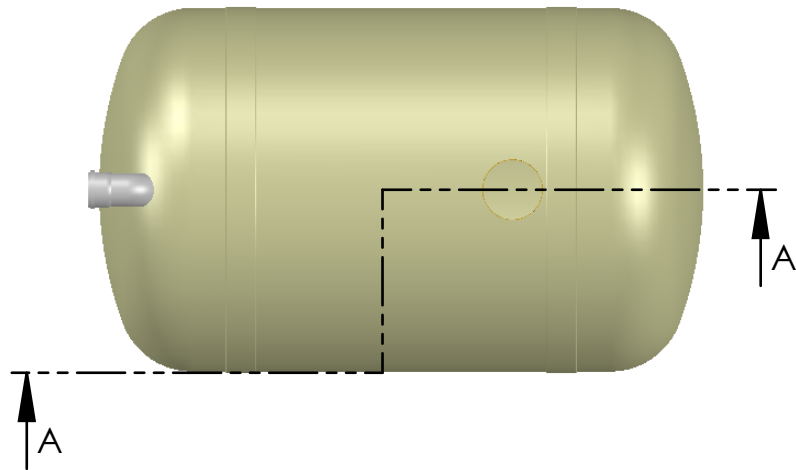


SECTION A-A
SCALE 1 : 25



ITEM NO.	PART NAME	DESCRIPTION	QTY.
1	Inlet sewer	ϕ 110	1
2	Tank Housing	ϕ 1200 x 2000	1
3	Drain sewer	ϕ 200 , Heihgt as needed	1
4	Top cover	Cast iron or plastic	1

STEELMAN
Steelman OÜ
tel: +372 5163 111
info@steelman.ee

tel: +372 6101 279
www.steelman.ee

Title

2m3 waste water tank

A4

SCALE:1 : 25

SHEET 1 OF 1

Article no.M2